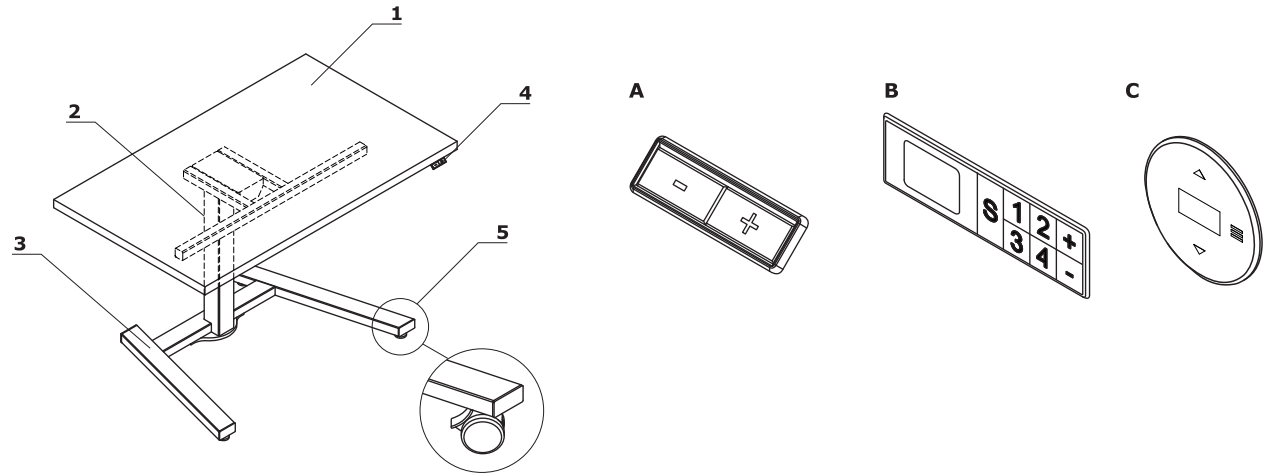


Technical specification

- 1 Worktop** - MFC 28 mm, ABS edge 2mm
- 2 Frame with electric height adjustment** - metal, powder coated, 3 profiles 50 × 50 mm, 55 × 55 mm and 60 × 60 mm
- 3 Foot** - powder coated metal
- 4 Control panel** - stepless height adjustment:
 - A** - basic control panel; the sensitivity of the anti-collision system is set to Medium
 - B** - OPTION WITH EXTRA CHARGE - up and down keypad with memory; the ability to change the sensitivity of the anti-collision system within 3 levels: Low, Medium, High
 - C** - OPTION WITH EXTRA CHARGE - round control panel with memory; the ability to change the sensitivity of the anti-collision system within 3 levels: Low, Medium, High; mounted to the worktop
- 5 Leveling** - 10 mm range; OPTION WITH EXTRA CHARGE - castors



Dimensions (mm)

